

Tulip

The **Tulip's** sleek minimal design makes it ideal for almost any contemporary commercial space.

Features

- * Chrome steel tube frame
- * Moulded polyurethane tub which can be upholstered in any fabric, leather or vinyl specified.
- * Seat pad for additional comfort
- * **Quick Ship Finish:** Black vinyl

Options

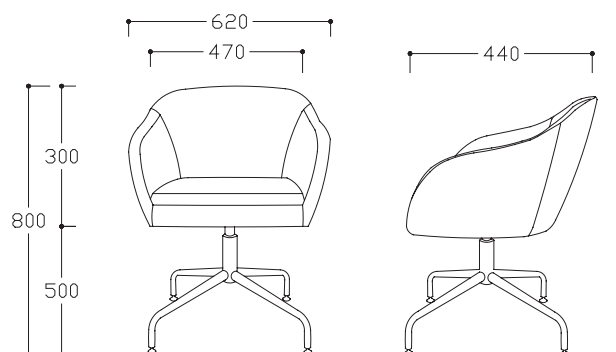
- * 360 degree swivel base with self leveling glides
- * 4 leg base
- * Swivel castor base
- * Height adjustable option available
- * Can be upholstered in your choice of fabric, leather or vinyl.

Warranty

3 Years

Lead Time

5 - 10 Working Days



Dimensions



TURNCO

COMMERCIAL FURNITURE • DESIGN SOLUTIONS • INSTALLATION